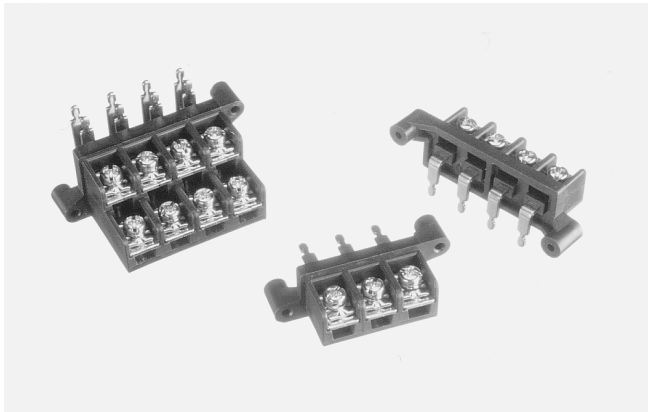


SERIES TB41



Side Mount 3 Wall Barrier Terminal Block

Specifications

Material:

Insulator: Polyester, black, rated UL 94V-0

Contacts: Brass, gold plated

Screws: Steel, gold or nickel plated

Plating:

Gold flash over 100 μ " nickel or optional 200 μ " tin over 100 μ " copper underplate

Electrical:

Operation voltage: 300V AC max

Current rating: 30 Amps max

Insulation resistance: 1000 M Ω min @ 500V DC between adjacent contacts (75°F and 50% R.H.)

Dielectric withstanding voltage: 1500V AC min rms (sea level)

Mechanical:

Wire Range: 22-12 AWG

Operating temperature: -40°C to +105°C

Ordering Information

TB41-A02F

1 2 3

1. Configuration

A = Single row straight PCB

B = Single row right angle PCB

C = Single row reverse right angle PCB

D = Bi-Level straight PCB

E = Bi-Level right angle PCB

F = Bi-Level reverse right angle PCB

2. Positions:

Configurations A, B & C: 02 - 10

Configurations D, E, & F: 02, 04, 06, 08, 10, 12

3. Plating options:

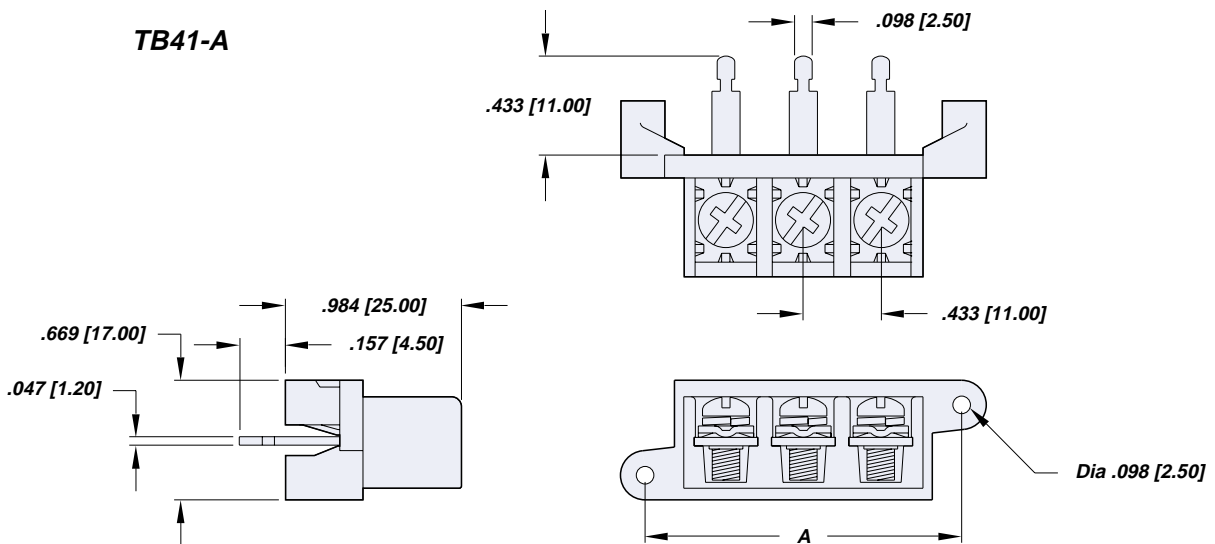
F = Gold flash *

T = Tin

* standard

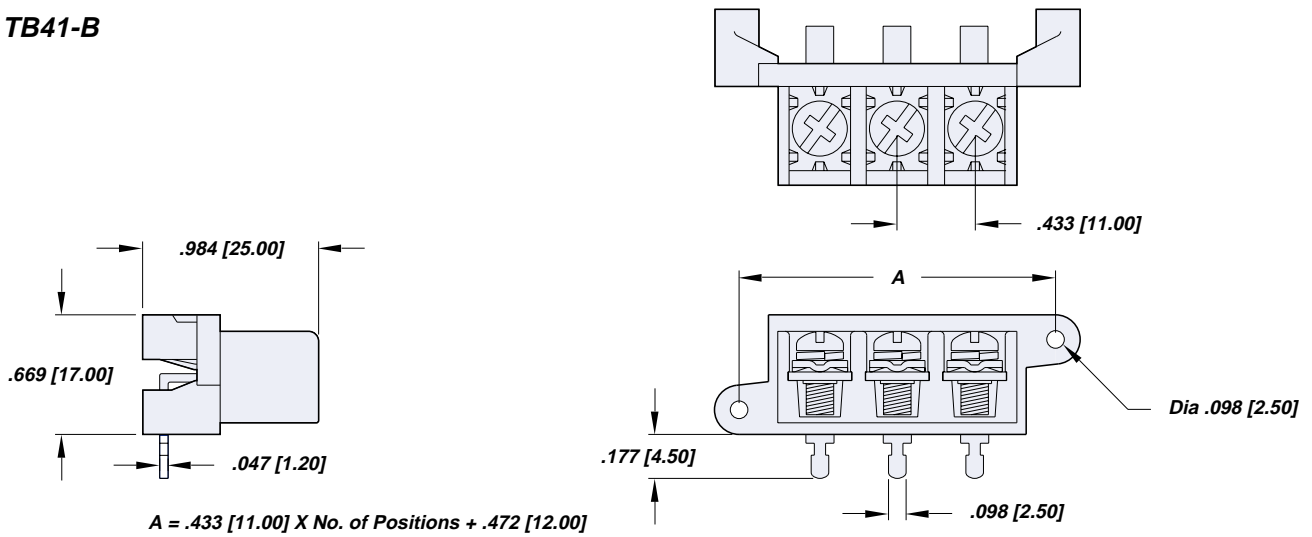
TERMINAL BLOCKS

TB41-A

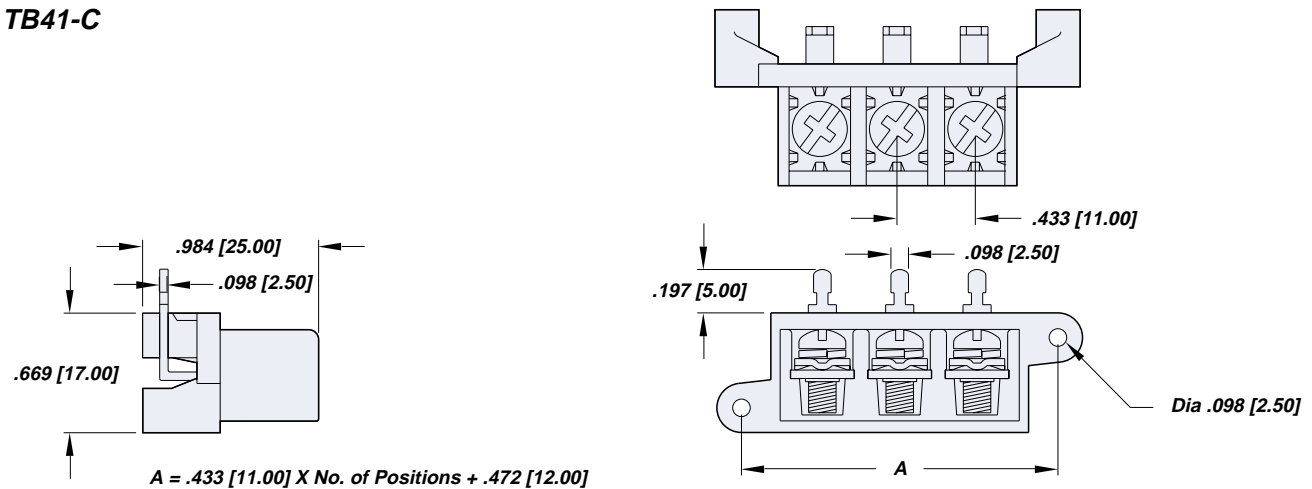


$$A = .433 [11.00] \times \text{No. of Positions} + .472 [12.00]$$

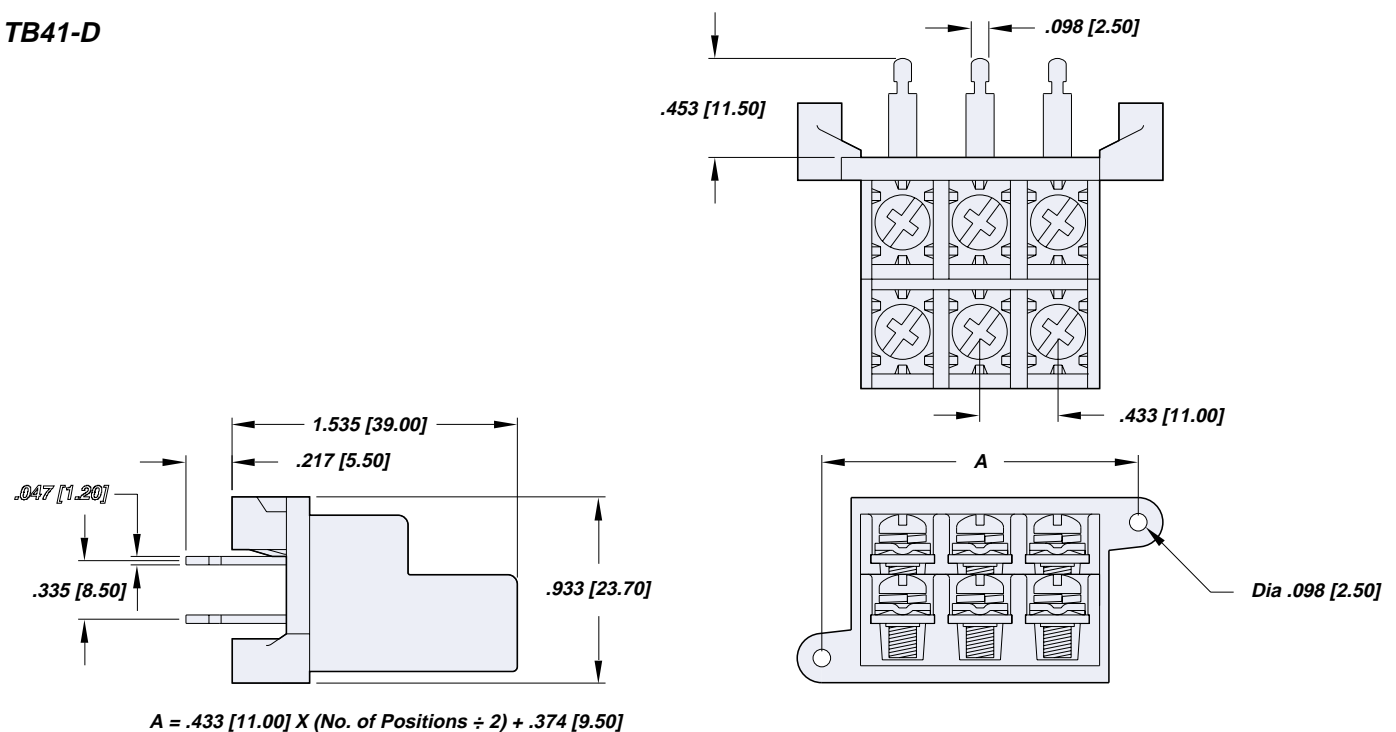
TB41-B



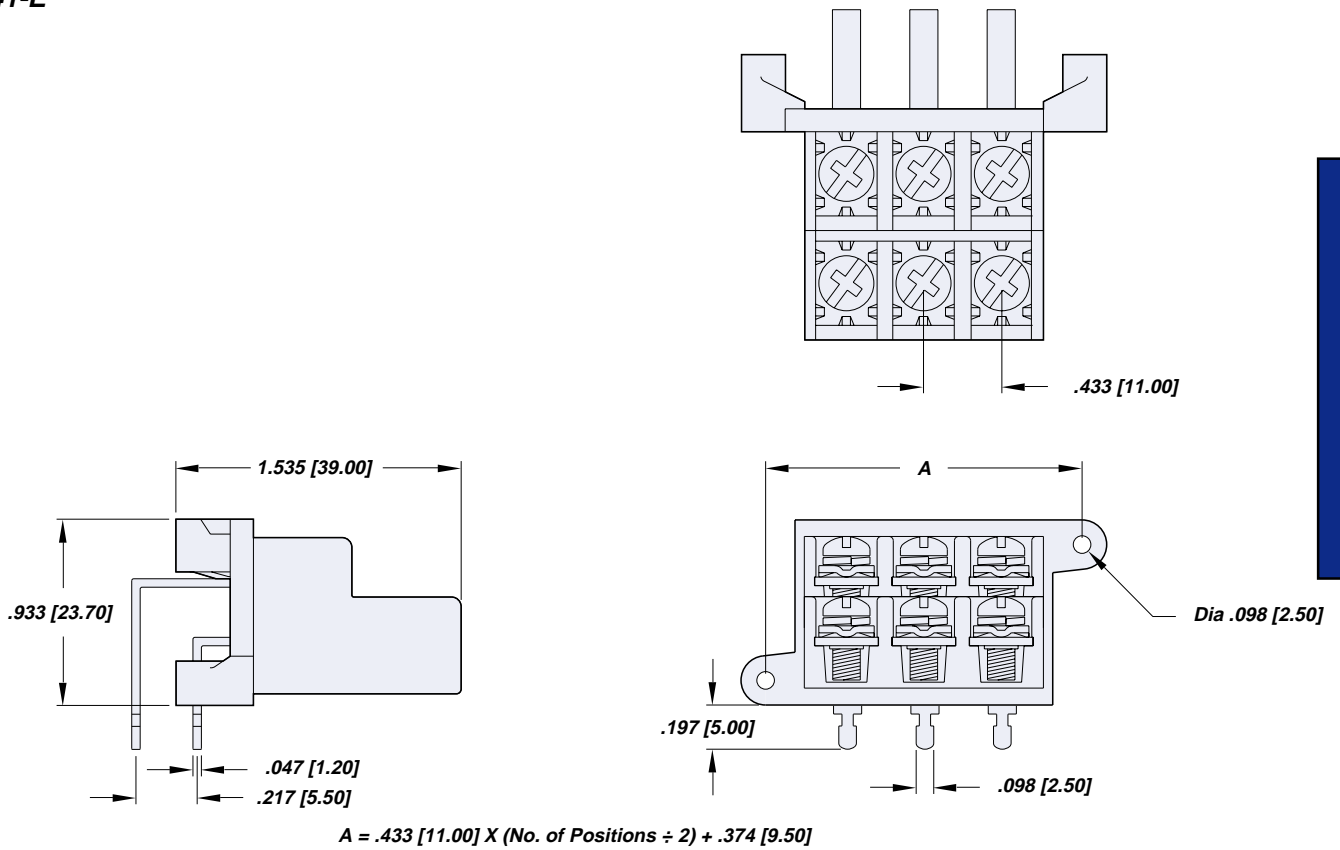
TB41-C



TB41-D



TB41-E



TERMINAL BLOCKS

TB41-F

