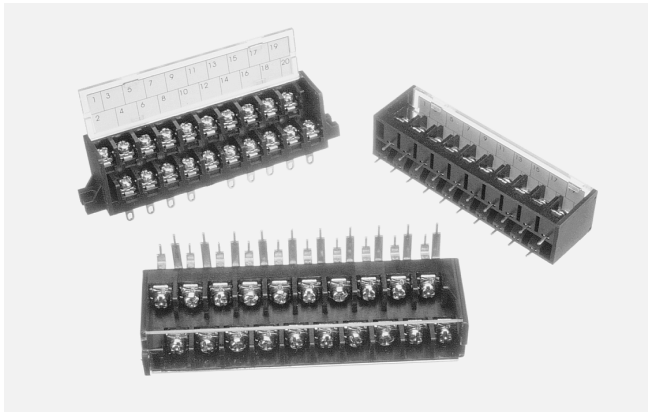




SERIES TB31



Bi-Level 3 Wall Barrier Terminal Block

Specifications

Material:

Insulator: Polyester, black, rated UL 94V-0
Contacts: Brass, gold plated
Screws: Steel, nickel plated

Plating:

200 μ" tin-lead over 100 μ" copper underplate, or optional gold flash over 100 μ" nickel underplate

Electrical:

Operation voltage: 300V AC max
Current rating: Pitch A = 10 Amps max,
Pitch B = 15 Amps max
Insulation resistance: 1000 MΩ min @ 500V DC
between adjacent contacts (75°F and 50% R.H.)
Dielectric withstanding voltage: 2000V AC min rms
(sea level)

Mechanical:

Wire Range: 18-14 AWG
Operating temperature: -40°C to +105°C

Ordering Information

TB31-1A24NT

1 2 3 4 5

- Configuration**
1 = Straight PCB
2 = Solder eyelet
3 = Right angle PCB
4 = Reverse right angle PCB

- Pitch:**
A = 7.62mm
B = 9.52mm

- Positions:**

Pitch	(multiples of 2)
A	02 - 60
B	04 - 50

- Mounting options:**
N = Without mounting ears *
H = With mounting ears (Configurations 1 & 2 only)

- Plating options:**

F = Gold flash
T = Tin *

- Other options:**

C = With cover

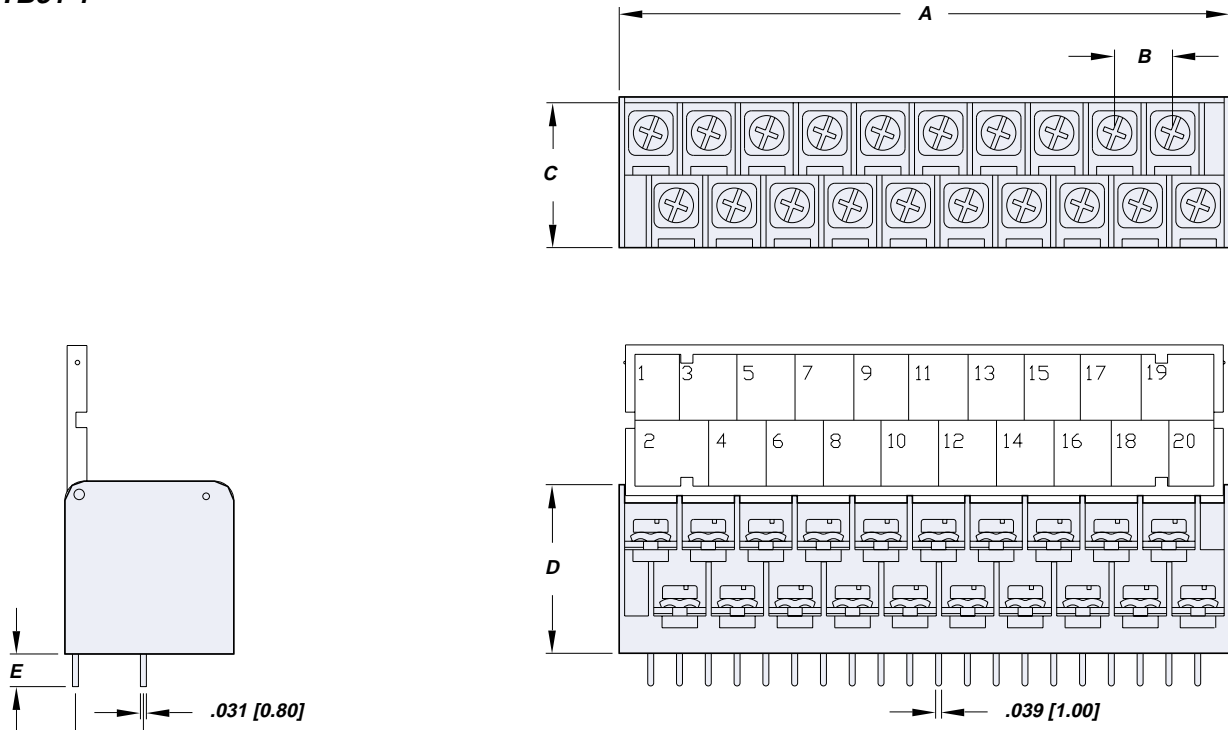
Available Versions

Conf	Pit.	
	A	B
1	•	•
2	•	
3		•
4		•

* standard



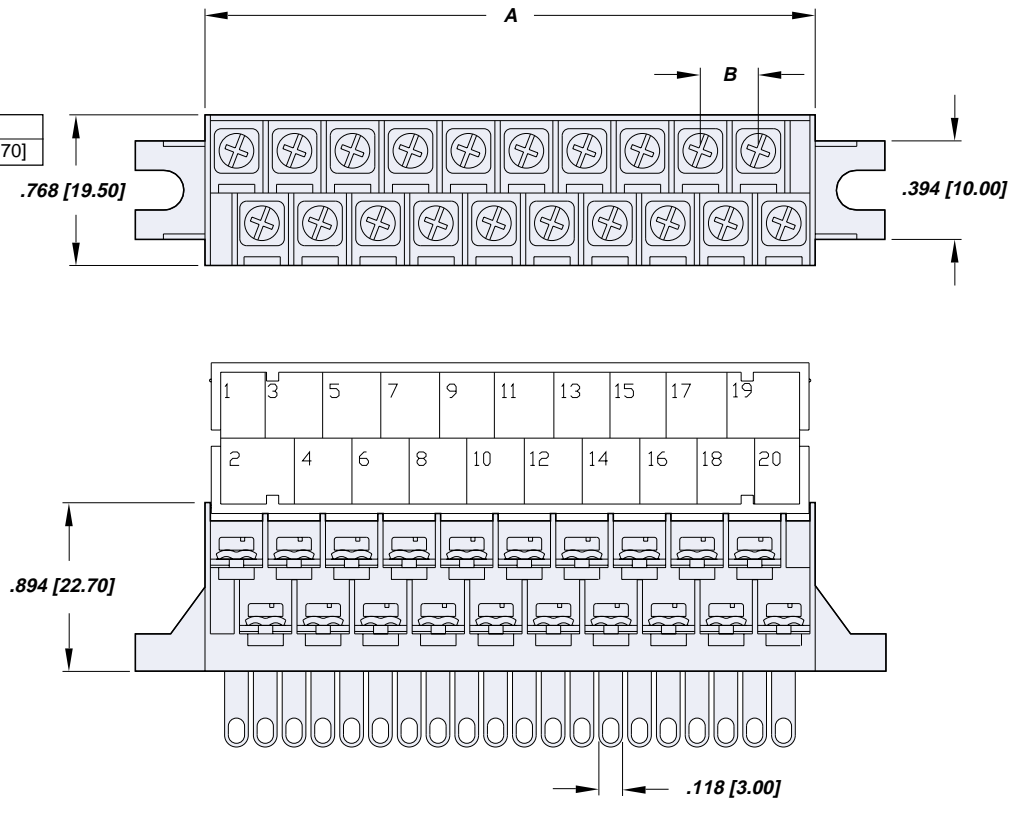
TB31-1



Pitch	Dim A	Dim C	Dim D	Dim E	Dim F
B = 7.62 mm	.300 [7.62] X (No. of Pos. ÷ 2) + .224 [5.70]	.768 [19.50]	.894 [22.70]	.165 [4.20]	.362 [9.20]
B = 9.52 mm	.375 [9.52] X (No. of Pos. ÷ 2) + .287 [7.30]	.787 [20.00]	1.122 [28.50]	.157 [4.00]	.374 [9.50]

TB31-2

Pitch	Dim A
B = 7.62 mm	.300 [7.62] X (No. of Pos. ÷ 2) + .224 [5.70]

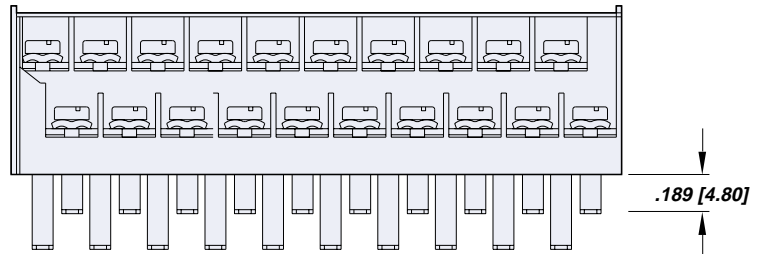
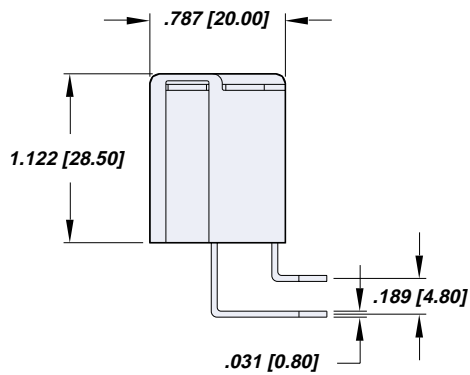
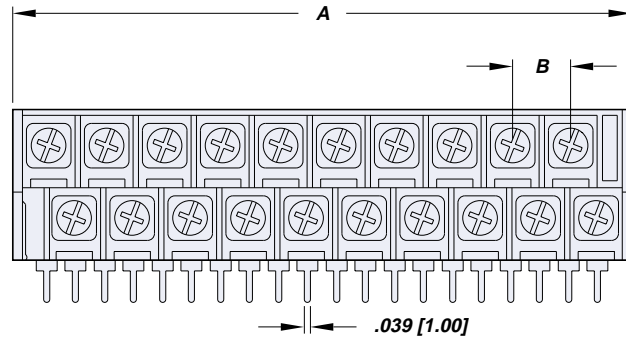


SERIES TB31 (Cont.)



TB31-3

Pitch	Dim A
B = 9.52 mm	.375 [9.52] X (No. of Pos. ÷ 2) + .287 [7.30]



TB31-4

Pitch	Dim A
B = 9.52 mm	.375 [9.52] X (No. of Pos. ÷ 2) + .287 [7.30]

