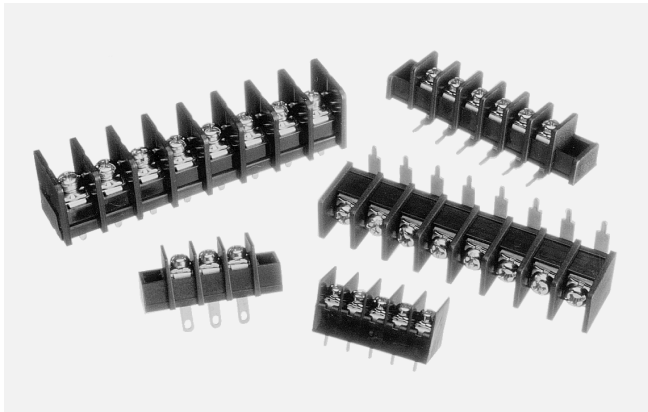




# SERIES TB01



## Single Wall Barrier Terminal Block

### Specifications

**Material:**

Insulator: Polyamide 6.6, black, rated UL 94V-0

Contacts: Brass, tin plated

Screws: Steel, nickel plated

**Plating:**

200  $\mu$ " tin-lead over 100  $\mu$ " copper underplate, or optional gold flash over 100  $\mu$ " nickel underplate

**Electrical:**

Operation voltage: 300V AC max

Current rating: Pitch A = 10 Amps max, Pitch B = 15 Amps max, Pitch C and D = 20 Amps max, Pitch E = 25 Amps max

Insulation resistance: 1000 M $\Omega$  min @ 500V DC between adjacent contacts (75°F and 50% R.H.)

Dielectric withstanding voltage: 2000V AC min rms (sea level)

**Mechanical:**

Wire Range: 22-16 AWG

Operating temperature: -40°C to +105°C

### Ordering Information

## TB01-1A30NT

1 2 3 4 5

**1. Configuration:**

- 1 = Center pin vertical PCB
- 2 = Side pin vertical PCB
- 3 = Solder eyelet
- 4 = Short footprint right angle PCB
- 5 = Right angle PCB
- 6 = Dual PCB

**2. Pitch:**

- A = 7.62mm
- B = 8.25mm
- C = 9.50mm
- D = 10.0mm
- E = 11.0mm

**3. Positions:**

Pitch	W/O Ears	With Ears
A	02 - 33	02 - 30
B	02 - 32	02 - 28
C	02 - 30	02 - 26
D	02 - 30	02 - 26
E	02 - 26	02 - 22

**Available Versions**

Conf	Pitch				
	A	B	C	D	E
1	•	•	•	•	•
2	•	•	•	•	
3	•	•	•	•	
4	•	•	•	•	
5	•	•			
6					•

**4. Mounting options:**

- N = Without mounting ears \*
- H = With mounting ears

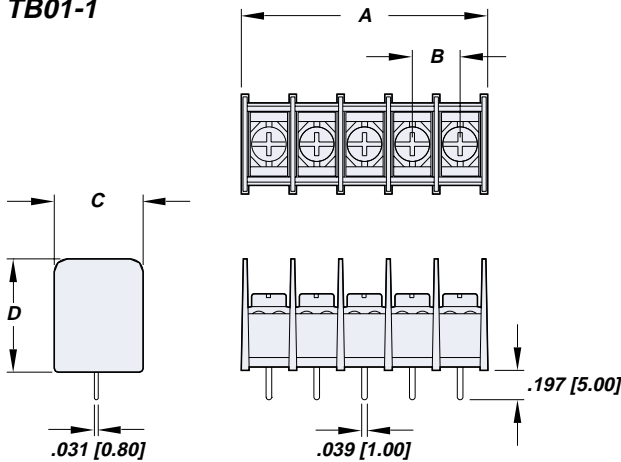
**5. Plating options:**

- F = Gold flash
- T = Tin \*

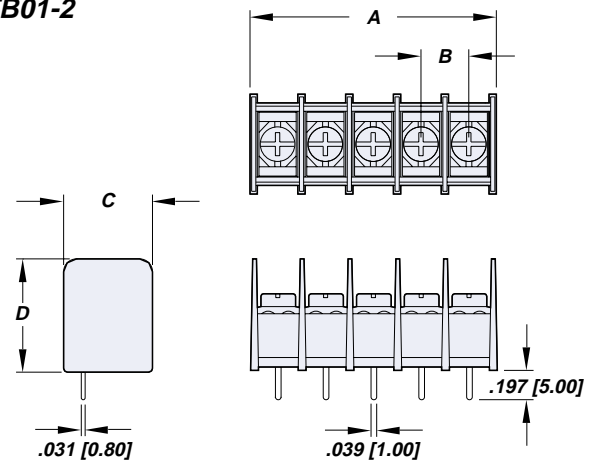
\* standard

TERMINAL BLOCKS

**TB01-1**



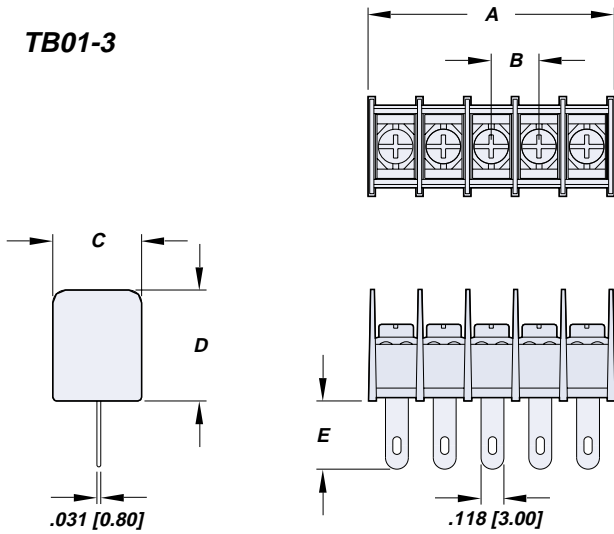
**TB01-2**



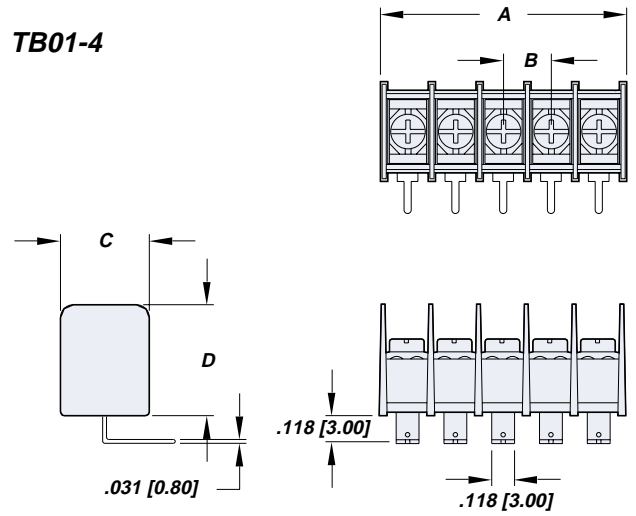
Pitch	Dim A	Dim C	Dim D
B = 7.62 mm	.300 [7.62] X No. of Pos. + .079 [2.00]	.539 [13.70]	.598 [15.20]
B = 8.25 mm	.325 [8.25] X No. of Pos. + .079 [2.00]	.539 [13.70]	.598 [15.20]
B = 9.50 mm	.374 [9.50] X No. of Pos. + .079 [2.00]	.650 [16.50]	.728 [18.50]
B = 10.0 mm	.394 [10.00] X No. of Pos. + .079 [2.00]	.610 [15.50]	.728 [18.50]
B = 11.0 mm	.433 [11.00] X No. of Pos. + .079 [2.00]	.677 [17.20]	.748 [19.00]



**TB01-3**

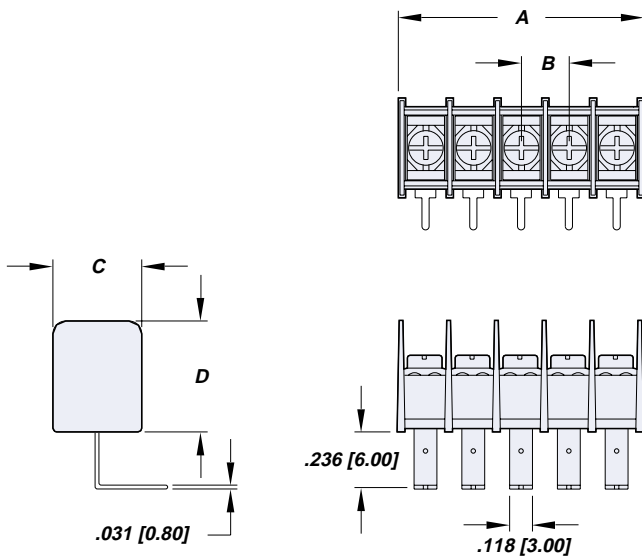


**TB01-4**

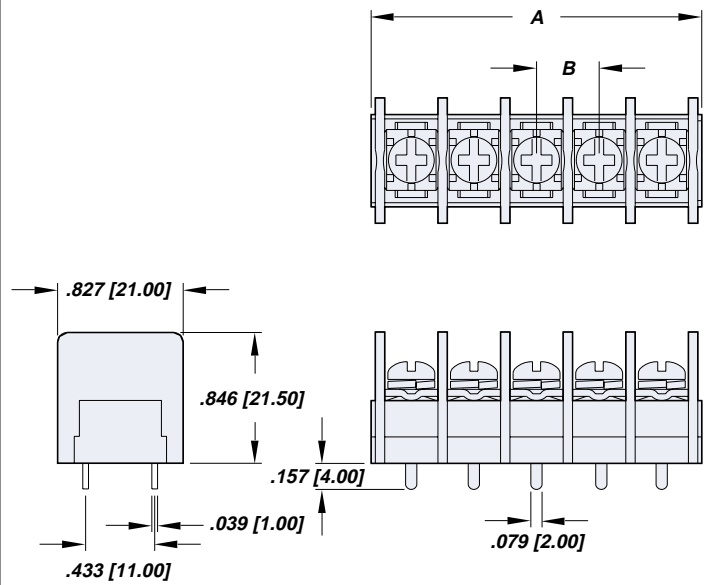


Pitch	Dim A	Dim C	Dim D	Dim E
B = 7.62 mm	.300 [7.62] X No. of Pos. + .079 [2.00]	.539 [13.70]	.598 [15.20]	.354 [9.00]
B = 8.25 mm	.325 [8.25] X No. of Pos. + .079 [2.00]	.539 [13.70]	.598 [15.20]	.374 [9.50]
B = 9.50 mm	.374 [9.50] X No. of Pos. + .079 [2.00]	.650 [16.50]	.728 [18.50]	.492 [12.50]
B = 10.0 mm	.394 [10.00] X No. of Pos. + .079 [2.00]	.610 [15.50]	.728 [18.50]	.492 [12.50]
B = 11.0 mm	.433 [11.00] X No. of Pos. + .079 [2.00]	.677 [17.20]	.748 [19.00]	.531 [13.50]

**TB01-5**



**TB01-6**



Pitch	Dim A	Dim C	Dim D
B = 7.62 mm	.300 [7.62] X No. of Pos. + .079 [2.00]	.539 [13.70]	.598 [15.20]
B = 8.25 mm	.325 [8.25] X No. of Pos. + .079 [2.00]	.539 [13.70]	.598 [15.20]

Pitch	Dim A
B = 11.00 mm	.433 [11.00] X No. of Pos. + .079 [2.00]