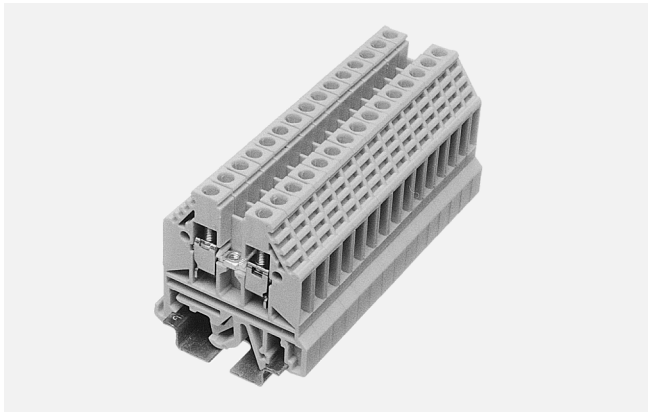




SERIES DR04



Ordering Information

Body: **DR04**

End Plate: **DR04-A**

S 4/6 Din Rail Terminal Block

Specifications

Material:

Housing, Endplate: Polyamide 6.6, rated UL 94V-0
Conductor: Brass, tin plated
Screw: M3, steel, zinc plated
Wire cage: Steel, zinc plated

Electrical:

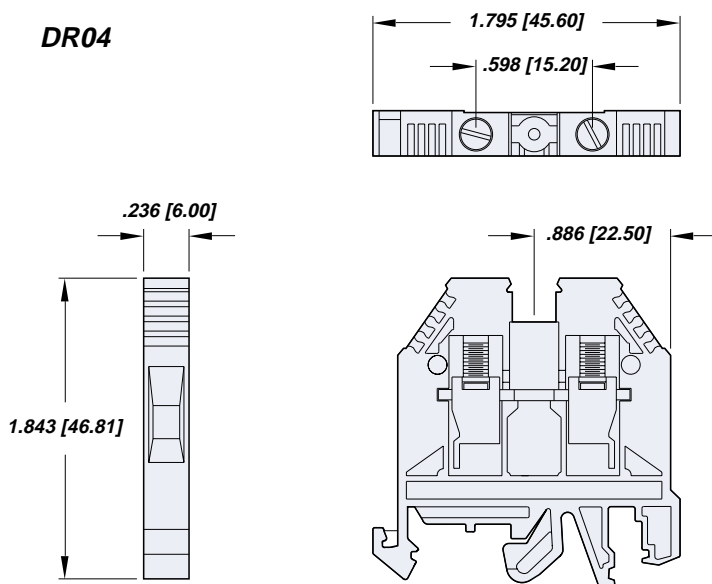
Current rating: 34 Amps max
Contact resistance: 3 mΩ max
Insulation resistance: 1000 MΩ min @ 500V DC
between adjacent contacts (75°F and 50% R.H.)
Dielectric withstanding voltage: 2500V AC min rms
(sea level)

Mechanical:

Screw torque: 7 in-lbs
Operating temperature: -40°C to +105°C

TERMINAL BLOCKS

DR04



DR04-A

