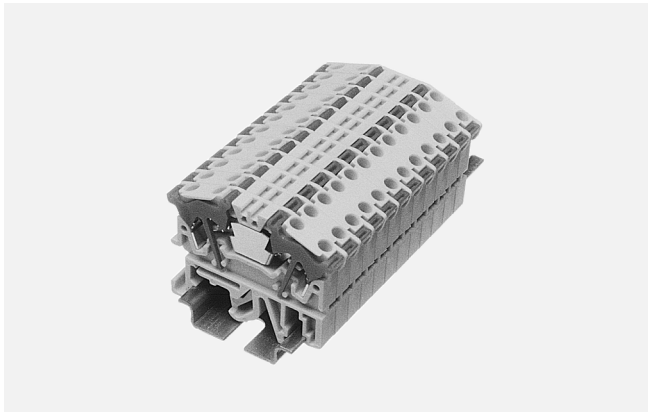




SERIES DR50



Ordering Information

Body: DR50

End Plate: DR50-A

Din Rail Screwless

Specifications

Material:

Housing, Endplate: Polyamide 6.6, rated UL 94V-0

Conductor: Brass, tin plated

Lever: Polyamide

Electrical:

Current rating: 16 Amps max

Contact resistance: 3 mΩ max

Insulation resistance: 1000 MΩ min @ 500V DC
between adjacent contacts (75°F and 50% R.H.)

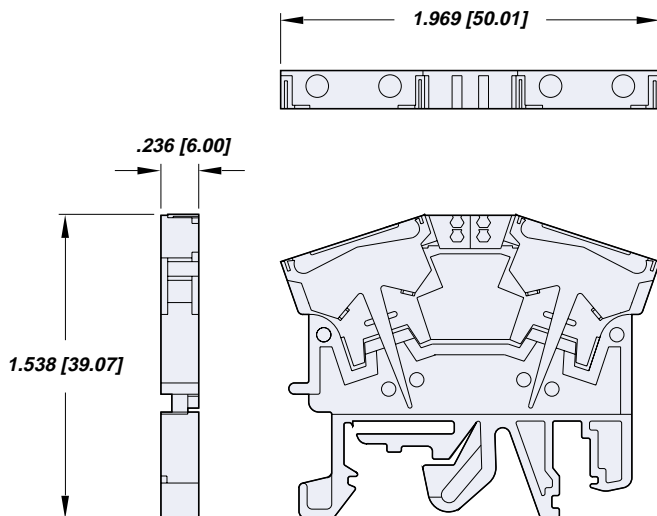
Dielectric withstanding voltage: 2500V AC min rms
(sea level)

Mechanical:

Operating temperature: -40°C to +105°C

TERMINAL BLOCKS

DR50



DR50-A

