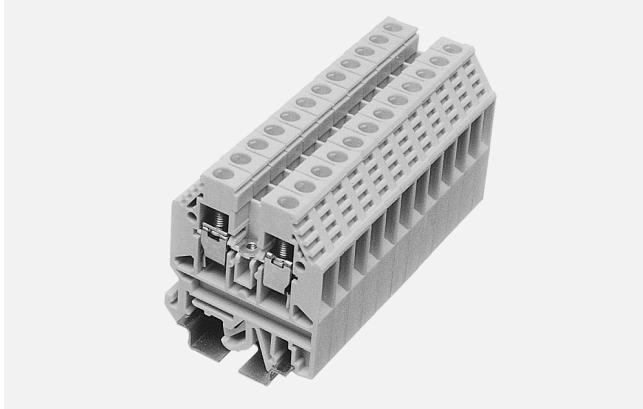


# SERIES DR06



## S 6/8 Din Rail Terminal Block

### Specifications

**Material:**

Housing, Endplate: Polyamide 6.6, rated UL 94V-0  
 Conductor: Brass, tin plated  
 Screw: M3, steel, zinc plated  
 Wire cage: Steel, zinc plated

**Electrical:**

Current rating: 34 Amps max  
 Contact resistance: 3 mΩ max  
 Insulation resistance: 1000 MΩ min @ 500V DC  
 between adjacent contacts (75°F and 50% R.H.)  
 Dielectric withstanding voltage: 2500V AC min rms  
 (sea level)

**Mechanical:**

Screw torque: 7 in-lbs  
 Operating temperature: -40°C to +105°C

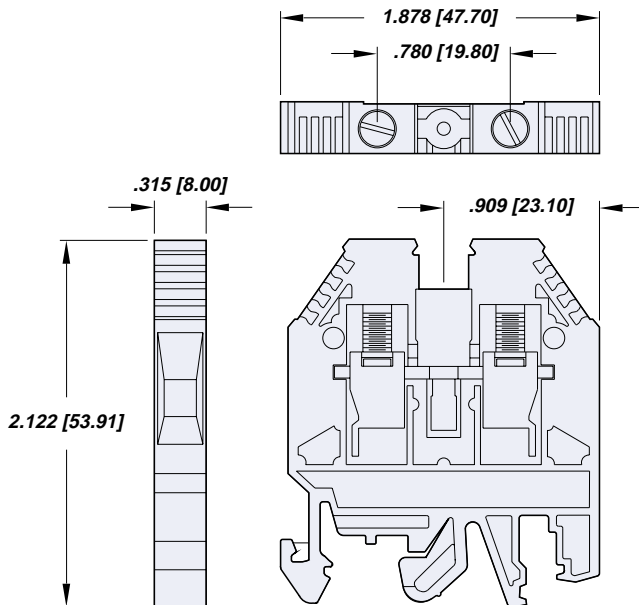
### Ordering Information

Body: **DR06**

End Plate: **DR06-A**

TERMINAL BLOCKS

**DR06**



**DR06-A**

